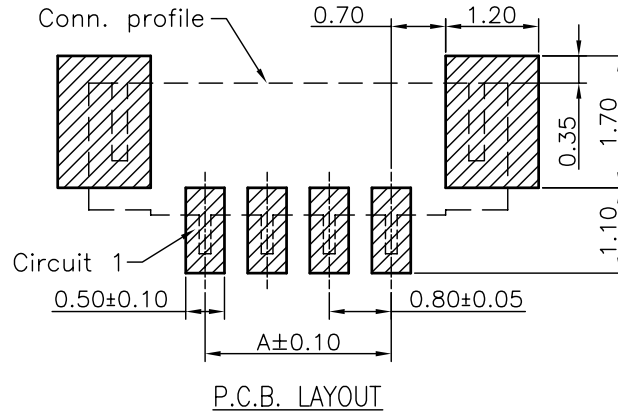
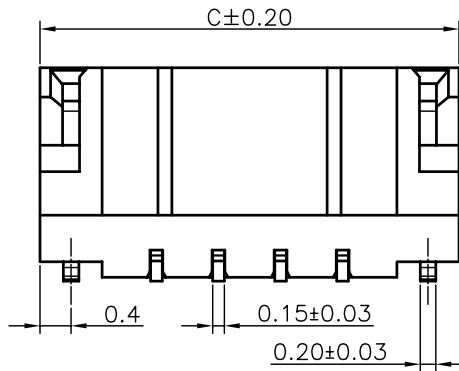
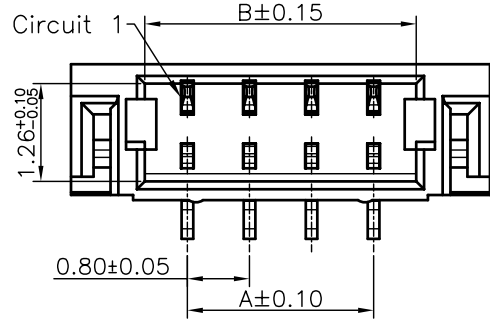
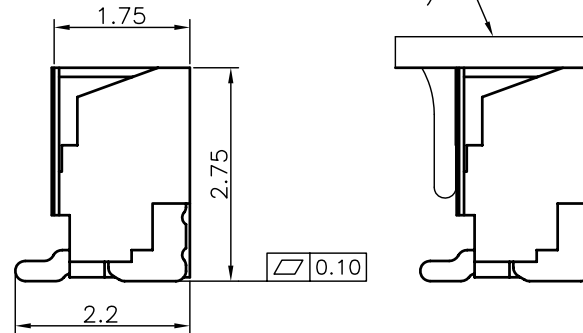


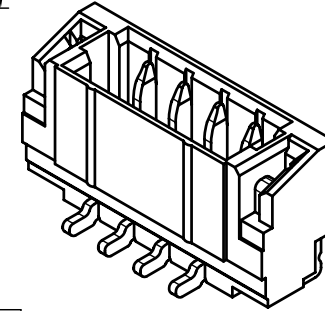
RoHS



CAP
(FOR PICK AND
PLACE SYSTEMS)



深圳亿沃鑫科有限公司
TEL:+86135-901-78542
FAX:+86-755-32932856
www.ewconn.com



EWWB0800W00-NPX-S-XX-XX
① ② ③④⑤⑥ ⑦

- ① Series No.
- ② W90 : Side Contact
W00 : Up Contact
- ③ No. of Circuits
- ④ A : Product color(A--Y)
Blank : Natural type
- ⑤ S: SMT Type
- ⑥ 5A: Pin Gold-flash
Solder Tabs Gold-flash
- ⑦ HF : Halogen Free

Dimensional Ordering
Information:

Circuits Part No	Dimensions		
	A	B	C
2P		1.90	3.80
3P	1.60	2.70	4.60
4P	2.40	3.50	5.40
5P	3.20	4.30	6.20
6P	4.00	5.10	7.00
7P	4.80	5.90	7.80
8P	5.60	6.70	8.60
9P	6.40	7.50	9.40
10P	7.20	8.30	10.20
11P	8.00	9.10	11.00
12P	8.80	9.90	11.80
13P	9.60	10.70	12.60
14P	10.40	11.50	13.40
15P	11.20	12.30	14.20
16P	12.00	13.10	15.00
17P	12.80	13.90	15.80
18P	13.60	14.70	16.60
19P	14.40	15.50	17.40
20P	15.20	16.30	18.20
21P	16.00	17.10	19.00
22P	16.80	17.90	19.80
23P	17.60	18.70	20.60
24P	18.40	19.50	21.40

Specifications:
Rated Voltage : 30V AC/DC
Rated Current : 0.5A AC,DC
Withstand Voltage : 200V AC/minute
Contact Resistance : 30mΩ(MAX.)
Insulation Resistance : 100MΩ(MIN.)
Temperature Range : -25°C~+85°C

Part No.	Material	Color	Pin Material	Solder Tabs
EWWB0800W00-NP-S	Nylon 6T,UL94V-0	Beige	Phosphor Bronze/Matte Tin-plated	Brass/Matte Tin-plated
EWWB0800W00-NP-S-5A	Nylon 6T,UL94V-0	Beige	Phosphor Bronze/Gold-flash	Brass/Gold-flash
EWWB0800W00-NP-S-HF	Nylon 6T,UL94V-0	无卤/Beige	Phosphor Bronze/Matte Tin-plated	Brass/Matte Tin-plated
EWWB0800W00-NP-S-5A-HF	Nylon 6T,UL94V-0	无卤/Beige	Phosphor Bronze/Gold-flash	Brass/Gold-flash
EWWB0800W00-NPA-S-5A-HF	LCP,UL94V-0	无卤/Black	Phosphor Bronze/Gold-flash	Brass/Gold-flash
EWWB0800W00-NPA-S-5A-HF-NK	LCP,UL94V-0	无卤/Black	Phosphor Bronze/Gold-flash	Brass/Gold-flash

C5	12.04.21	新增黑色无卤不印字规格	龚友连	王志刚	一般公差 GENERAL TOLERANCE X.X ±0.25 X' ±5' X.XX ±0.15 X.X' ±2' X.XXX ±0.08 ▲ MAJOR DIM.	绘图 DR.	陈干	EWCONNECTOR 深圳亿沃鑫科技有限公司	料号 PART NO. EWWB0800W00-NPX-S
C4	12.02.27	4T无卤料改6T无卤料	龚友连	王志刚		校对 CHK.	欧阳小强		文件编号 NUMBER
C3	11.08.15	HR1108150120	龚友连	王志刚	单位 UNIT mm	审核 CHK.	龚友连	品名 TITLE Pitch0.8 IDC Vertical Wafer	ENDE05
C2	11.02.19	新增黑色无卤规格	龚友连	王志刚		核准 APPD.	王志刚		比例 SCALE 1/1
版次 REV.	日期 DATE	变更内容 DESCRIPTION	审核 CHK.	核准 APPD.					