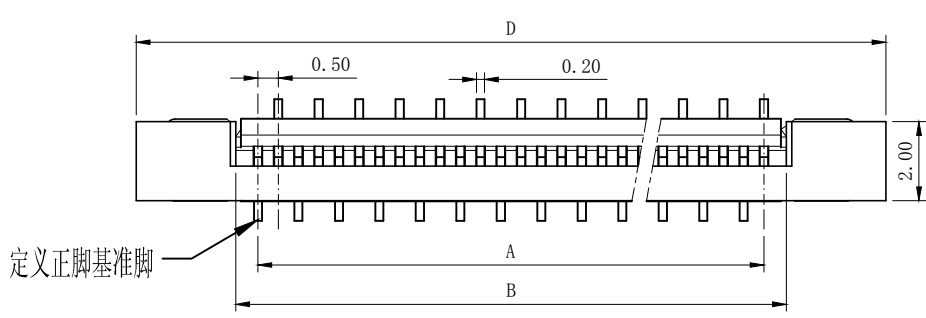


PITCH 0.5mm FPC CONNECTOR SMT TYPE

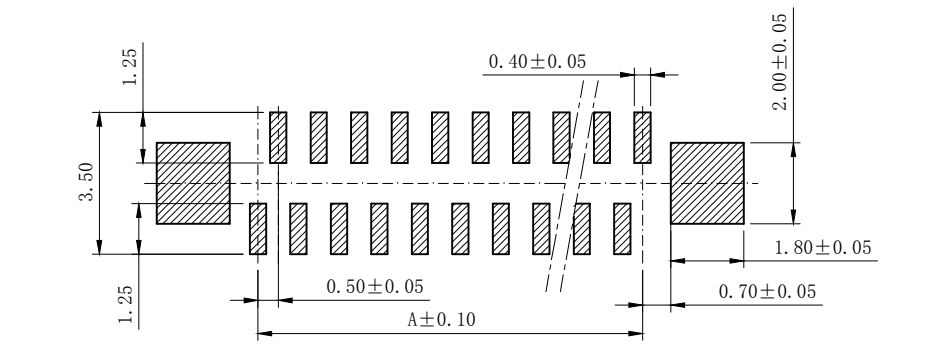
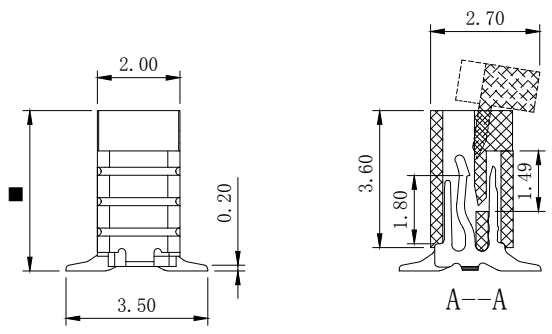
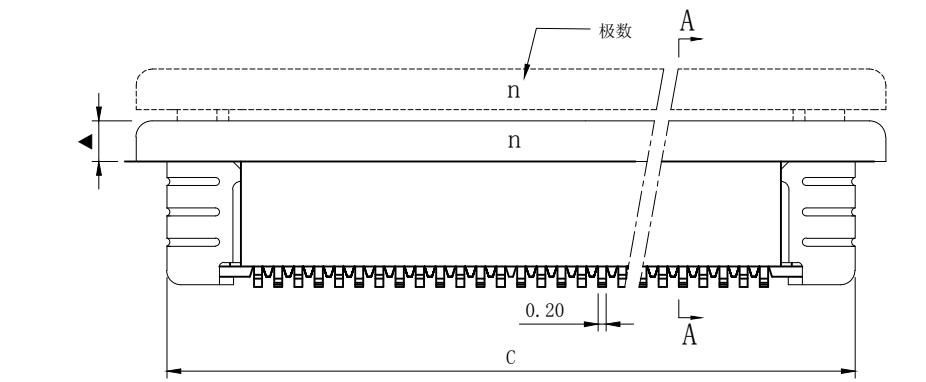


性能:
 额定电流: 0.4A
 额定电压: 50V
 耐压: 200V
 接触电阻: $\leq 20m\Omega$
 绝缘电阻: 500M Ω
 工作温度: -20 $^{\circ}C \sim +85^{\circ}C$
 塑件(材质): LCP, UL94V-0
 锁扣(材质): 见下面备注
 插簧(材质): 磷青铜, 镀锡/镀金
 焊片(材质): 磷青铜, 镀锡/镀金

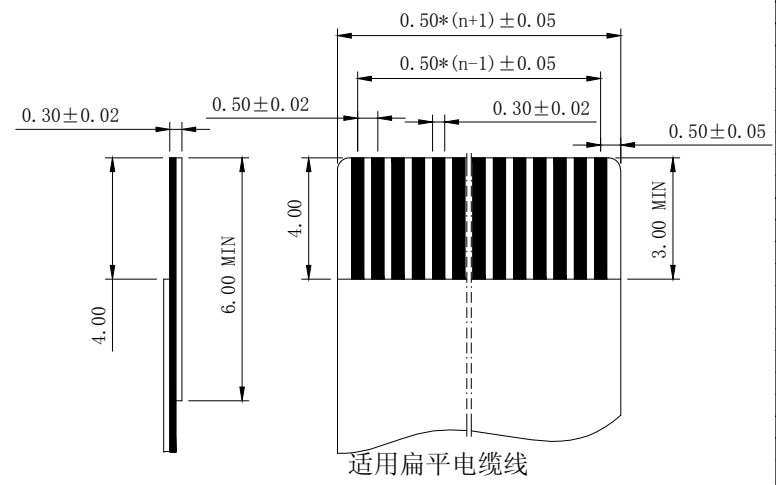
注: 当PIN数为30PIN或以下时, 锁扣材质为PA46.
 当PIN数为30PIN以上时, 锁扣材质为LCP

注: ▲"处尺寸为
 4Pin~29Pin: 1.50mm;
 30Pin~39Pin: 1.60mm;
 40Pin~60Pin: 1.70mm;

注: ■"处尺寸为
 4Pin~29Pin: 4.70mm;
 30Pin~39Pin: 4.80mm;
 40Pin~60Pin: 4.90mm;



PCB Layout



适用扁平电缆线

孔位	A	B	C	D
4	1.50	2.60	6.35	7.65
5	2.00	3.10	6.85	8.15
6	2.50	3.60	7.35	8.65
7	3.00	4.10	7.85	9.15
8	3.50	4.60	8.35	9.65
9	4.00	5.10	8.85	10.15
10	4.50	5.60	9.35	10.65
11	5.00	6.10	9.85	11.15
12	5.50	6.60	10.35	11.65
13	6.00	7.10	10.85	12.15
14	6.50	7.60	11.35	12.65
15	7.00	8.10	11.85	13.15
16	7.50	8.60	12.35	13.65
17	8.00	9.10	12.85	14.15
18	8.50	9.60	13.35	14.65
19	9.00	10.10	13.85	15.15
20	9.50	10.60	14.35	15.65
21	10.00	11.10	14.85	16.15
22	10.50	11.60	15.35	16.65
23	11.00	12.10	15.85	17.15
24	11.50	12.60	16.35	17.65
25	12.00	13.10	16.85	18.15
26	12.50	13.60	17.35	18.65
27	13.00	14.10	17.85	19.15
28	13.50	14.60	18.35	19.65
29	14.00	15.10	18.85	20.15
30	14.50	15.60	19.35	20.65
31	15.00	16.10	19.85	21.15
32	15.50	16.60	20.35	21.65
33	16.00	17.10	20.85	22.15
34	16.50	17.60	21.35	22.65
35	17.00	18.10	21.85	23.15
36	17.50	18.60	22.35	23.65
37	18.00	19.10	22.85	24.15
38	18.50	19.60	23.35	24.65
39	19.00	20.10	23.85	25.15
40	19.50	20.60	24.35	25.65
41	20.00	21.10	24.85	26.15
42	20.50	21.60	25.35	26.65
43	21.00	22.10	25.85	27.15
44	21.50	22.60	26.35	27.65
45	22.00	23.10	26.85	28.15
46	22.50	23.60	27.35	28.65
47	23.00	24.10	27.85	29.15
48	23.50	24.60	28.35	29.65
49	24.00	25.10	28.85	30.15
50	24.50	25.60	29.35	30.65
51	25.00	26.10	29.85	31.15
52	25.50	26.60	30.35	31.65
53	26.00	27.10	30.85	32.15
54	26.50	27.60	31.35	32.65
55	27.00	28.10	31.85	33.15
56	27.50	28.60	32.35	33.65
57	28.00	29.10	32.85	34.15
58	28.50	29.60	33.35	34.65
59	29.00	30.10	33.85	35.15
60	29.50	30.60	34.35	35.65

Part No.:
 EW536V 5 36-XX VR-TX X
 O=Matte Sn Plating Overall;G=Gold Flash
 TA: Tape Reel Packing
 TU: Tube Packing
 Vertical/Right Contact
 NO. of contacts
 Series name
 Pitch=0.5mm
 FPC Series

深圳亿沃鑫科有限公司
 TEL:+86135-901-78542
 FAX:+86-755-32932856
 www.ewconn.com

X. ± 0.3	X. $^{\circ} \pm 5^{\circ}$	UNITS mm	NAME (INTENDED USE)	EWCONNECTOR 深圳亿沃鑫科有限公司
.X ± 0.25	.X $^{\circ} \pm 2^{\circ}$	MAT'L	PART NO. (INTENDED USE) EW536V	
.XX ± 0.20	.XX $^{\circ} \pm 1^{\circ}$	FINISH	APPD:	DWG NO.: 050K01-AUB000000
.XXX ± 0.10	.XXX $^{\circ} \pm 0.5^{\circ}$		Q'TY	
THESE DRAWINGS AND SPECIFICATIONS ARE THE PROPERTY OF DE RUI ELECTRON FACTORY AND SHALL NOT BE REPRODUCED, COPIED OR USED IN ANY MANNER WITHOUT THE PRIOR WRITTEN CONSENT OF DE RUI ELECTRON FACTORY			DR: YLZ 2011.09.28	SCALE SHEET REV. 1/1 1/1 A