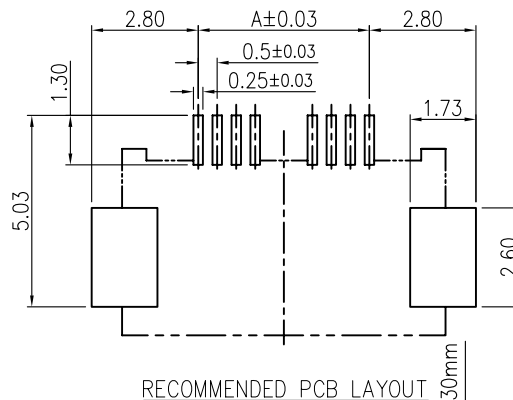
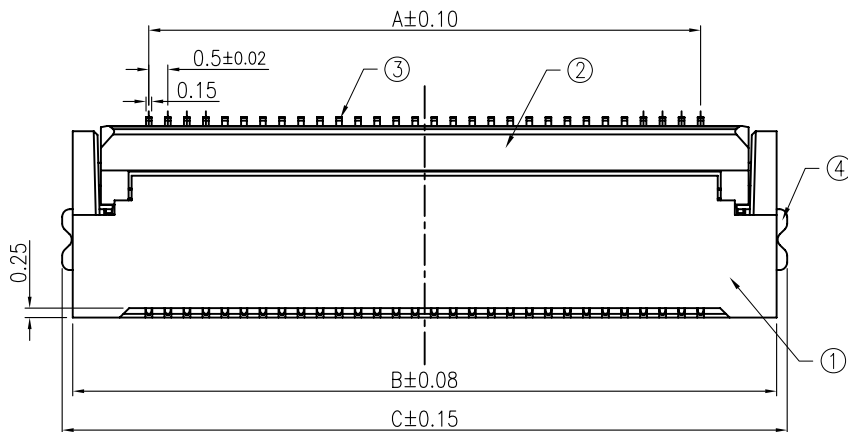
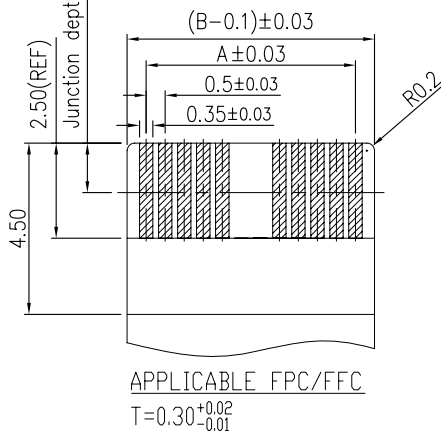
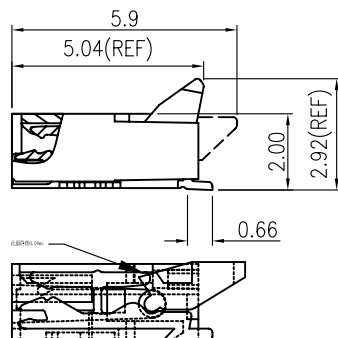
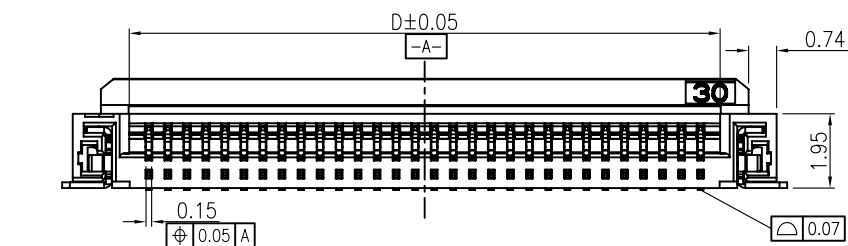


DRAWING TYPE CUSTOMER DRAWING

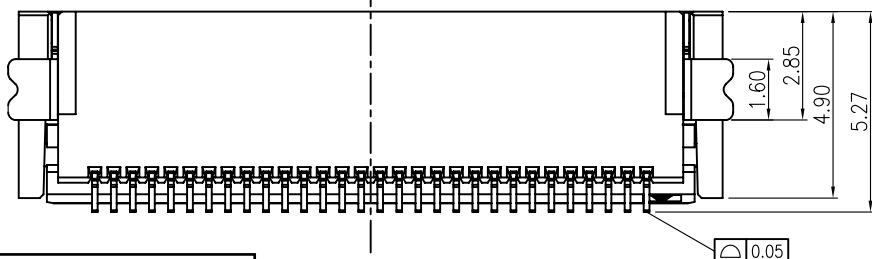
| MARK | DATE | ECN NO | DESCRIPTION | DESIGN |
|------|------------|--------|-------------------|--------|
| △ | 2016/08/06 | | 产品压排线较紧, 盖子减胶0.04 | |



- FPC NOT MATING CONDITION BANNED CLOSURE
- ALL MATERIAL MUST BE COMPLY WITH ROHS
- PART NO. LEGEND:
EW529- ** 1 X 3 * * 3
 ① ② ③ ④ ⑤ ⑥ ⑦
- .SERIES NAME:F601=FPC 0.5PITCH H2.0 BACK FLIP TYPE CONNECTOR
- .CONTACT PIN NUMBER:**=CONTACT PIN NUMBER
- .WELDING METHODS:1=SMT
- .SHELLS MATERIALS/PLATING:X=MEANINGLESS CODE
- .MAIN COLOR:3=NATURAL COLOR
- .CONTACT PLATING SPEC:
 POINT OF PLATING:30=1u";
 ALL GOLD PLATING:20=1u";22=3u";23=5u";
- .PACKING SPEC: 3=CARRY TAPE



| NO. POSITIONS | DIM | A | B | C | D |
|---------------|-------|-------|-------|-------|---|
| 4 | 1.50 | 5.50 | 6.05 | 2.55 | |
| 6 | 2.50 | 6.50 | 7.05 | 3.55 | |
| 8 | 3.50 | 7.50 | 8.05 | 4.55 | |
| 9 | 4.00 | 8.00 | 8.55 | 5.05 | |
| 10 | 4.50 | 8.50 | 9.05 | 5.55 | |
| 12 | 5.50 | 9.50 | 10.05 | 6.55 | |
| 14 | 6.50 | 10.50 | 11.05 | 7.55 | |
| 15 | 7.00 | 11.00 | 11.55 | 8.05 | |
| 16 | 7.50 | 11.50 | 12.05 | 8.55 | |
| 18 | 8.50 | 12.50 | 13.05 | 9.55 | |
| 22 | 10.50 | 14.50 | 15.05 | 11.55 | |
| 24 | 11.50 | 15.50 | 16.05 | 12.55 | |
| 30 | 14.50 | 18.50 | 19.05 | 15.55 | |
| 40 | 19.50 | 23.50 | 24.05 | 20.55 | |
| 45 | 22.00 | 26.00 | 26.55 | 23.05 | |
| 50 | 24.50 | 28.50 | 29.05 | 25.55 | |
| 54 | 26.50 | 30.50 | 31.05 | 27.55 | |
| 60 | 29.50 | 33.50 | 34.05 | 30.55 | |
| 80 | 39.50 | 43.50 | 34.05 | 40.55 | |



| NO. | COMPONENTS | MATERIALS | COLOR/SPECIFICATION | QUANTITY |
|-----|------------|-----------------|---------------------|-----------|
| 1 | HOUSING | LCP | NATURAL UL94V-0 | 1 PCS |
| 2 | COVER | LCP | BLACK UL94V-0 | 1 PCS |
| 3 | CONTACT | PHOSPHOR BRONZE | T=0.15mm PLATING | POSITIONS |
| 4 | STATOR | BRASS | T=0.15mm PLATING | 2 PCS |

深圳亿沃鑫科有限公司
 TEL:+86135-901-78542
 FAX:+86-755-32932856
 www.ewconn.com

NOTE: ALL RIGHTS RESERVED,BANNED COPY!

UNLESS OTHERWISE SPECIFIED TOLERANCE

| ANG | TOL | DIM | TOL |
|------|-------|------|-------|
| .X | ±2.0° | .X | ±0.20 |
| .XX | ±1.0° | .XX | ±0.10 |
| .XXX | ±0.5° | .XXX | ±0.05 |

EWCONNECTOR 深圳亿沃鑫科有限公司

| | | | | | | | |
|------------|---|--------|------|-------|-------|------|-----|
| DRAWING NO | PART NAME: FPC 0.5PITCH H2.0 BACK FLIP TYPE CONNECTOR | | | | | | |
| | PART NO. | | | | | | |
| APPROVED | VERIFIED | DESIGN | DATE | UNITS | SCALE | PAGE | REV |
| | | OCEAN | | mm | 1:1 | 1/1 | A |