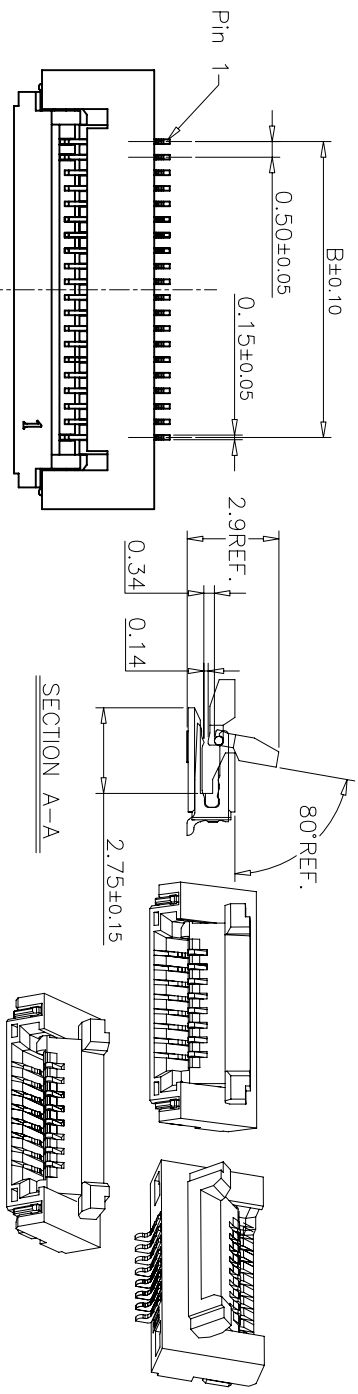
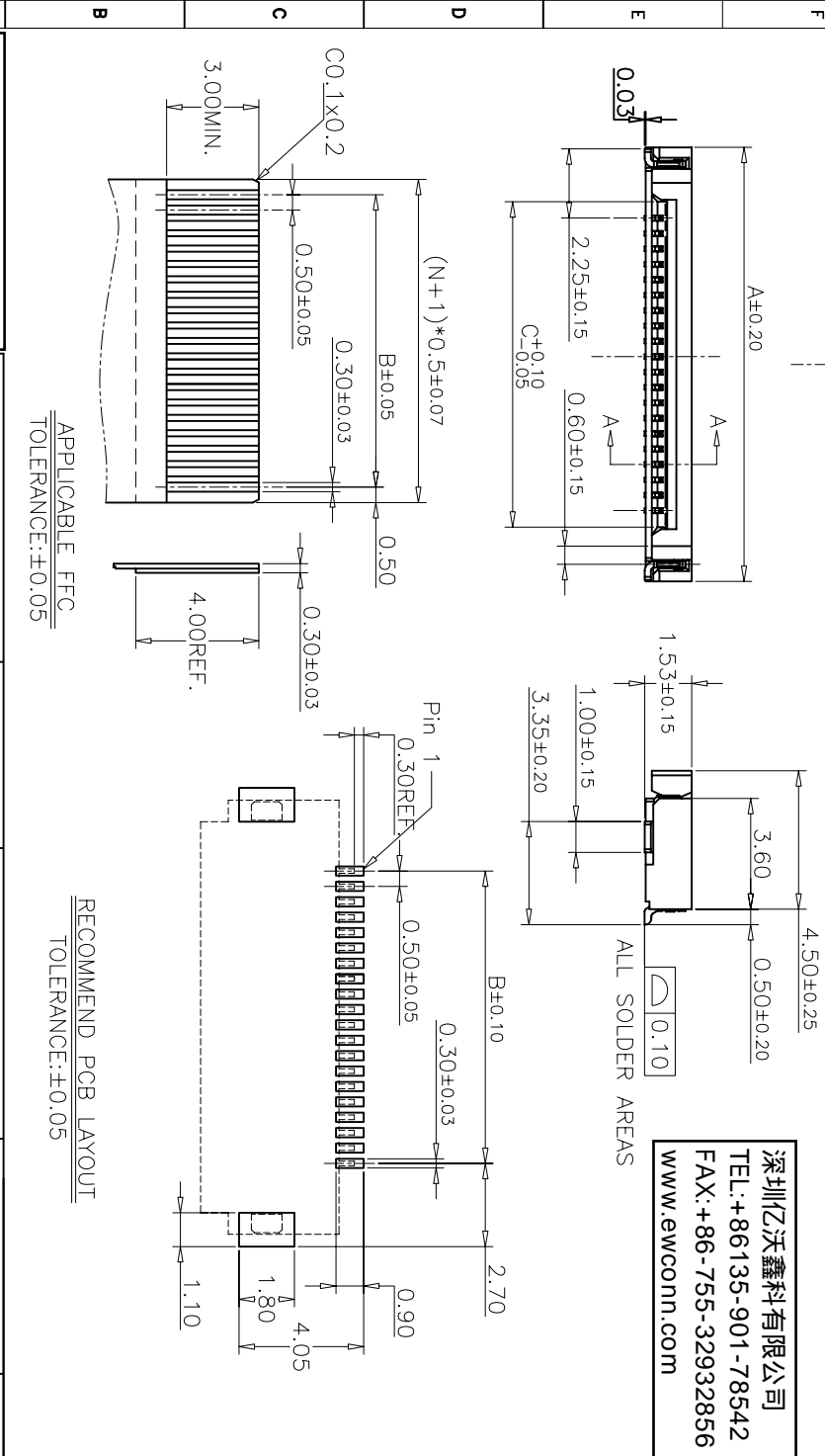
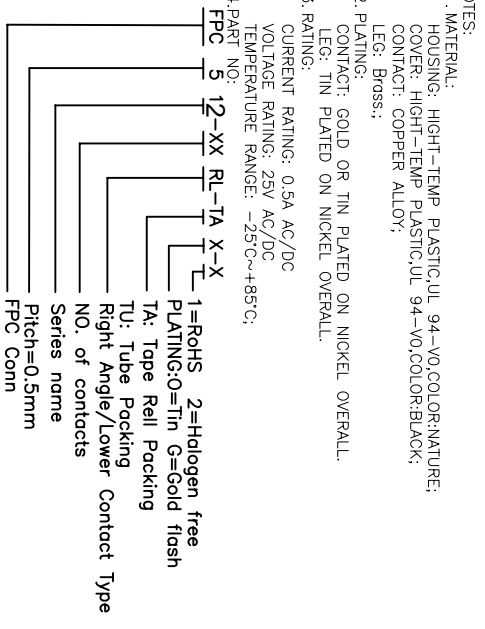


REV.	ECO NO.	DATE	SIGN	DESCRIPTION
A		2013.05.16		NEW DRAWING



深圳亿沃鑫科有限公司
 TEL: +86135-901-78542
 FAX: +86-755-32932856
 www.ewconn.com



PIN NO.	DIM.A	DIM.B	DIM.C	PIN NO.	DIM.A	DIM.B	DIM.C	PIN NO.	DIM.A	DIM.B	DIM.C
1	6.10	1.50	2.57	24	16.10	11.50	12.57	44	26.10	21.50	22.57
2	6.60	2.00	3.07	25	16.60	12.00	13.07	45	26.60	22.00	23.07
3	7.10	2.50	3.57	26	17.10	12.50	13.57	46	27.10	22.50	23.57
4	7.60	3.00	4.07	27	17.60	13.00	14.07	47	27.60	23.00	24.07
5	8.10	3.50	4.57	28	18.10	13.50	14.57	48	28.10	23.50	24.57
6	8.60	4.00	5.07	29	18.60	14.00	15.07	49	28.60	24.00	25.07
7	9.10	4.50	5.57	30	19.10	14.50	15.57	50	29.10	24.50	25.57
8	9.60	5.00	6.07	31	19.60	15.00	16.07	51	29.60	25.00	26.07
9	10.10	5.50	6.57	32	20.10	15.50	16.57	52	30.10	25.50	26.57
10	10.60	6.00	7.07	33	20.60	16.00	17.07	53	30.60	26.00	27.07
11	11.10	6.50	7.57	34	21.10	16.50	17.57	54	31.10	26.50	27.57
12	11.60	7.00	8.07	35	21.60	17.00	18.07	55	31.60	27.00	28.07
13	12.10	7.50	8.57	36	22.10	17.50	18.57	56	32.10	27.50	28.57
14	12.60	8.00	9.07	37	22.60	18.00	19.07	57	32.60	28.00	29.07
15	13.10	8.50	9.57	38	23.10	18.50	19.57	58	33.10	28.50	29.57
16	13.60	9.00	10.07	39	23.60	19.00	20.07	59	33.60	29.00	30.07
17	14.10	9.50	10.57	40	24.10	19.50	20.57	60	34.10	29.50	30.57
18	14.60	10.00	11.07	41	24.60	20.00	21.07	64	36.10	31.50	32.57
19	15.10	10.50	11.57	42	25.10	20.50	21.57	68	38.10	33.50	34.57
20	15.60	11.00	12.07	43	25.60	21.00	22.07	80	44.10	39.50	40.57

深圳亿沃鑫科有限公司
 TEL: +86135-901-78542
 FAX: +86-755-32932856
 www.ewconn.com

TOLERANCE UNLESS SPECIFIED
 LINEAR: X ±0.25, X' ±2°, XX ±0.15, X' ±2°, XXX ±0.10, X' ±—
 DATE: 2013.05.16
 SCALE: 1/1
 UNIT: mm
 DAR: BY *luwaxiaofeng*
 CHK: BY *luwaxiaofeng*
 APP: BY *helin*
 MATERIAL: ---
 FINISH: ---
 PART NO.: ---

APPLICABLE FCC TOLERANCE: ±0.05
 RECOMMEND PCB LAYOUT TOLERANCE: ±0.05
 EWCONNECTOR 深圳亿沃鑫科有限公司
 TITLE: FPC 0.5Pitch 1.5H
 DWG NO: EW512-XX
 REV: A

本部品不含有环境管理物质规定之有害物质 [MANAGEMENT REGULATIONS FOR THE RESTRICTIVELY-USED SUBSTANCES INCLUDED IN PARTS AND DEVICES]