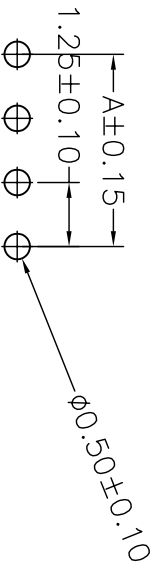
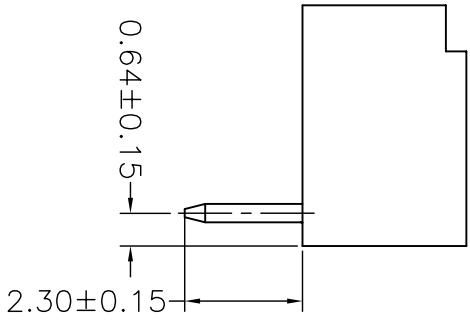
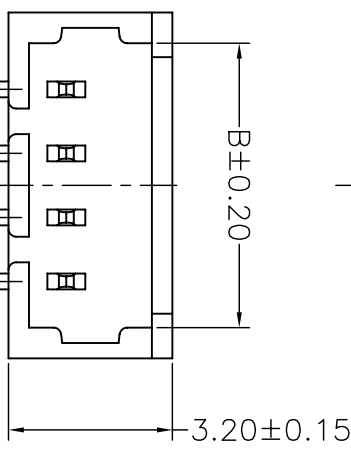
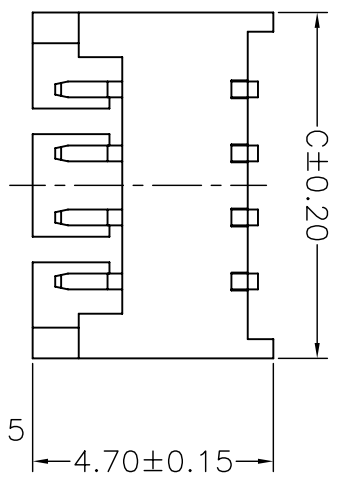


REV.	ECO NO.	DATE	SIGN	DESCRIPTION
A		2007/08/04		RELEASED

MATERIAL  
 WAFER: NYLON 46 UL 94V-0  
 CONTACTS: BRASS

SPECIFICATION  
 Current Rating: 1A AC, DC  
 Voltage Rating: 250V AC, DC  
 OPERATING TEMPERATURE: -25° C ~ +85° C  
 Contact Resistance: 20mΩ Max  
 Insulation Resistance: 1000MΩ Min  
 Withstanding Voltage: 1000V AC/minute



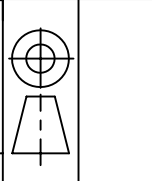
Recommended P. C. B Layout

Part No.	Dimension		
	A	B	C
1251WR-02P	1.25	3.15	4.25
1251WR-03P	2.50	4.40	5.50
1251WR-04P	3.75	5.65	6.75
1251WR-05P	5.00	6.90	8.00
1251WR-06P	6.25	8.15	9.25
1251WR-07P	7.50	9.40	10.50
1251WR-08P	8.75	10.65	11.75
1251WR-09P	10.00	11.90	13.00
1251WR-10P	11.25	13.15	14.25
1251WR-11P	12.50	14.40	15.50
1251WR-12P	13.75	15.65	16.75
1251WR-13P	15.00	16.90	18.00
1251WR-14P	16.25	18.15	19.25
1251WR-15P	17.50	19.40	20.50

深圳亿沃鑫科有限公司  
 TEL: +86135-901-78542  
 FAX: +86-755-32932856  
 www.ewconn.com

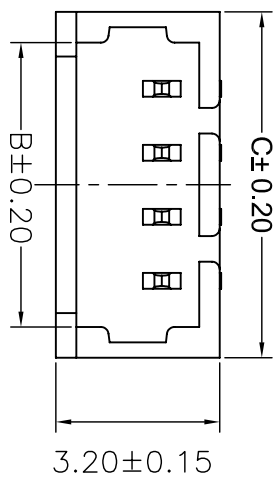
TOLERANCE UNLESS SPECIFIED	
LINEAR	ANGLE
.X ± 0.30	X° XX
.XX ± 0.20	.X° XX
.XXX ± 0.15	.XX° XX

DATE	07, 08, 04	DAR. BY	C H L	MATERIAL
SCALE	1/1	CHK. BY	H D J	FINISH
UNIT	mm	APP. BY	H D J	PART NO.



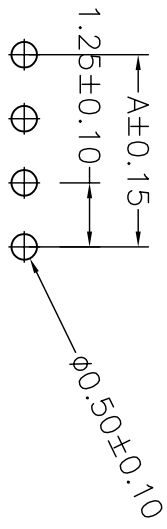
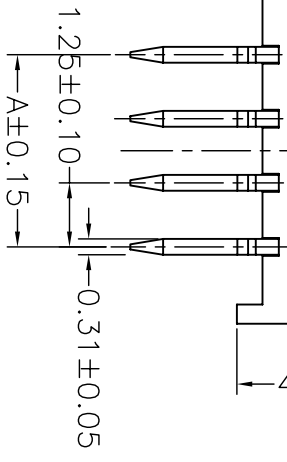
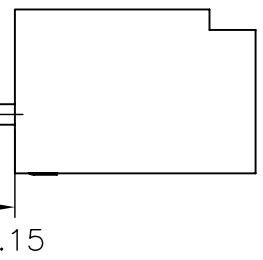
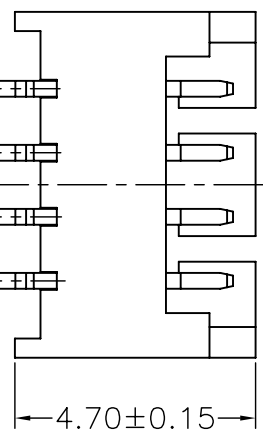
**EWCONNECTOR**  
 深圳亿沃鑫科有限公司  
 TITLE: MX1.25 R/A DIP WAFER  
 DWG NO. EWWB1251-WR-XXP

14	13	12	11	10	9	8	7	6	5	4	3	2	1		
											REV.	ECO NO.	DATE	SIGN	DISCRIPTION
											A		2007/08/04		RELEASED



3.20±0.15

**MATERIAL**  
 WAFER: NYLON 46 UL 94V-0  
 CONTACTS: BRASS  
**SPECIFICATION**  
 Current Rating: 1A AC, DC  
 Voltage Rating: 250V AC, DC  
 OPERATING TEMPERATURE: -25° C ~ +85° C  
 Contact Resistance: 20mΩ Max  
 Insulation Resistance: 1000MΩ Min  
 Withstanding Voltage: 1000V AC/minute



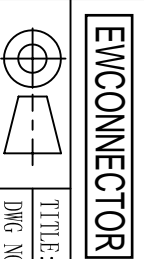
Recommended P. C. B Layout

Part No.	Dimension		
	A	B	C
1251WV-02P	1.25	3.15	4.25
1251WV-03P	2.50	4.40	5.50
1251WV-04P	3.75	5.65	6.75
1251WV-05P	5.00	6.90	8.00
1251WV-06P	6.25	8.15	9.25
1251WV-07P	7.50	9.40	10.50
1251WV-08P	8.75	10.65	11.75
1251WV-09P	10.00	11.90	13.00
1251WV-10P	11.25	13.15	14.25
1251WV-11P	12.50	14.40	15.50
1251WV-12P	13.75	15.65	16.75
1251WV-13P	15.00	16.90	18.00
1251WV-14P	16.25	18.15	19.25
1251WV-15P	17.50	19.40	20.50

一沃电子实业有限公司  
 TEL:+86-755-36887540  
 FAX:+86-755-36887541  
 http://www.ewconn.com

TOLERANCE UNLESS SPECIFIED	
LINEAR	ANGLE
.X ±0.30	X° XX
.XX ±0.20	.X° XX
.XXX ±0.15	.XX° XX

DATE	DAR. BY	C H L	MATERIAL
07, 08, 04			
SCALE	CHK. BY	H D J	FINISH
1/1			
UNIT	APP. BY	H D J	PART NO.
mm			



**EWCONNECTOR** E-World Electronic Industry Ltd  
 TITLE: MX1.25 VERTICAL DIP Wafer  
 DWG. NO. EWWB1251-WV-XXP  
 REV. A

本部品不含有环境管理物质规定之有害物质 [MANAGEMENT REGULATIONS FOR THE RESTRICTIVELY-USED SUBSTANCES INCLUDED IN PARTS AND DEVICES]