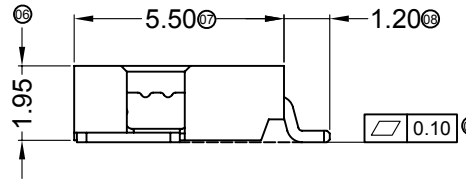
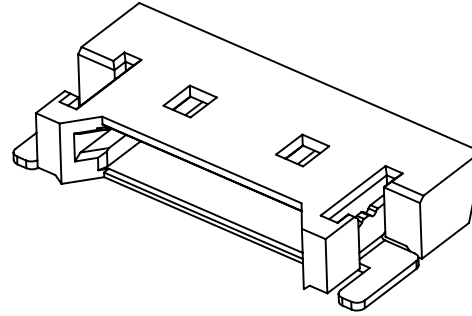
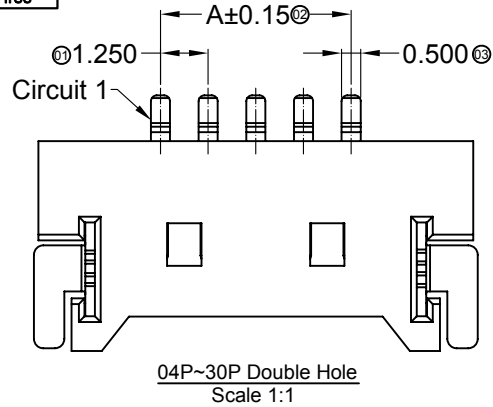


RoHS  Lead-free

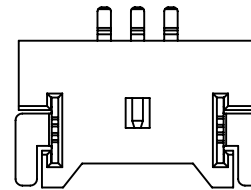
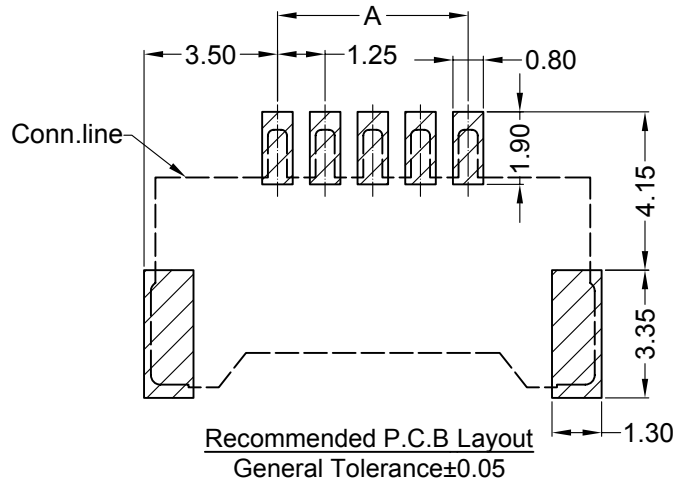


Specifications :

- Voltage rating: 125V AC / DC
- Current rating: 1A AC / DC
- Withstanding voltage: 250V AC/minute
- Temperature range: -25°C~+85°C
- Insulation resistance: ≥100MΩ
- Contact resistance: ≤20mΩ
- After environmental testing: ≤40mΩ

1250 W R S-XX HF-XX V01 XX
① ② ③ ④ ⑤ ⑥ ⑦ ⑧ ⑨

- ① Series No.
- ② Category: W-wafer
- ③ Welding Board Angle: R- Right Angle 90°
- ④ Welding Way: S-SMT
- ⑤ Row No.-Pin No.: XX-02P~30P
- ⑥ Plug the Pin & Special No.: HF-Halogen Free
- ⑦ Material: 6T-PA6T 94V-0 ; 9T-PA9T 94V-0 ; 1T-PA10T
- ⑧ Planting Category: V01-Gold Flash
- ⑨ Color: Blank-natural color



02P~03P Single Hole
Scale 1:0.7

Poles	Dimensions(mm)			Poles	Dimensions(mm)		
	A	B	C		A	B	C
02	1.25	7.65	2.90	10	11.25	17.65	12.90
03	2.50	8.90	4.15	11	12.50	18.90	14.15
04	3.75	10.15	5.40	12	13.75	20.15	15.40
05	5.00	11.40	6.65	13	15.00	21.40	16.65
06	6.25	12.65	7.90	14	16.25	22.65	17.90
07	7.50	13.90	9.15	15	17.50	23.90	19.15
08	8.75	15.15	10.40	20	23.75	30.15	25.40
09	10.00	16.40	11.65	30	36.25	42.65	37.90

EWCONNECTOR
 MB:+86-13590178542
 FAX:+86-755-32932856
 www.ewconn.com

△ 9827WRS-XXHF-9TV01	PA9T UL 94V-0 (Halogen Free)	Phorpos bronze	Gold-Flash	Phorpos bronze	Gold-Flash	9827H
9827WRS-XX-1TV01	PA10T UL 94V-0					
9827WRS-XX-6TV01	PA6T UL 94V-0					
9827WRS-XX-9TV01	PA9T UL 94V-0					
PART NO	Material	Material(Pin)	Finish(Pin)	Material (Solder Tabs)	Finish (Solder Tabs)	Mates With SWB Housing

2014/09/02	C	D		Add Halogen Free Part No.	sylvia	Jova	GENERAL TOLERANCE X ±0.30 .XX ±0.20 .XXX ±0.10	一沃电子实业有限公司 APPROVAL CHECK DRAWN DATA				PART NO. 1250WRS-XX-XXV01			
2014/06/18	B	C		Add PA10T Part No.	Jova	Jova						TITLE 1.25mm Crimp Style Connectors			
2014/05/20	A	B		Space of a Whole page Changes	Jova	Jova		Bob Sun	Jova Lau	Wuxiaotao	2014/05/20	UNIT MM	SCALE 1:1	NUMBER A-106	REV D
DATE	OLD REV	NEW REV	ECN	DESCRIPTION	CHECK	APPROVAL	PROJECT								