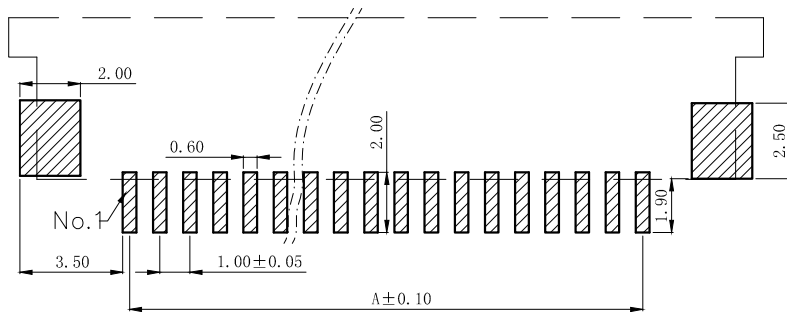
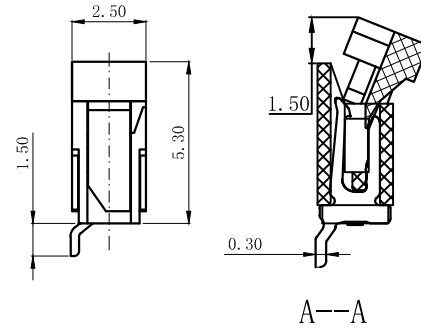
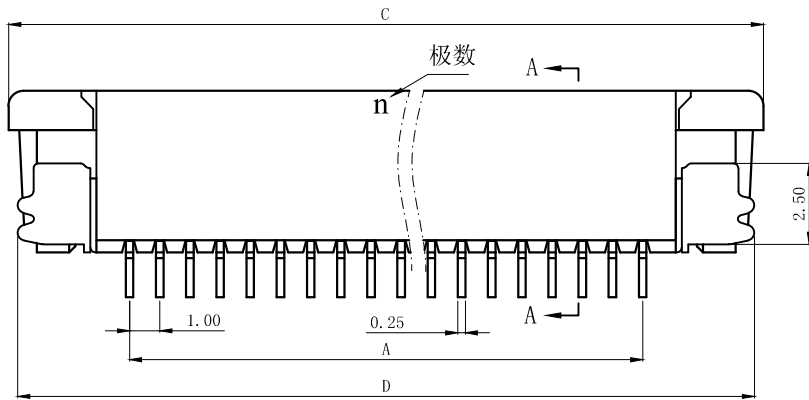
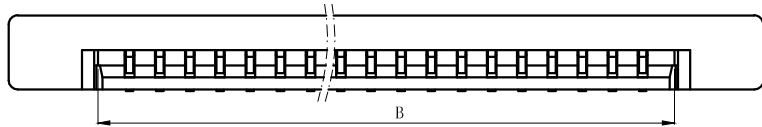


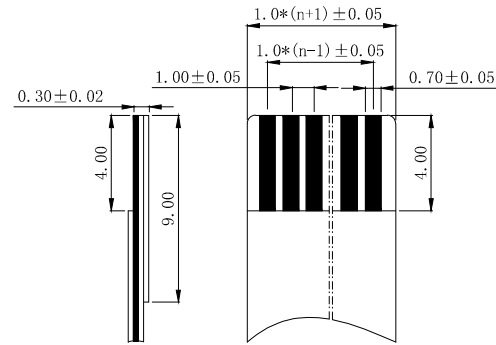
# PITCH 1.0mm FPC CONNECTOR SMT TYPE

性能:  
 额定电流: 0.5A  
 额定电压: 50V  
 耐电压: 500V  
 接触电阻:  $\leq 20m\Omega$   
 绝缘电阻: 800M $\Omega$   
 工作温度: -20 $^{\circ}C \sim +85^{\circ}C$

塑件 (材质): LCP, UL94V-0  
 锁扣 (材质): PA46, UL94V-0  
 插簧 (材质): 磷青铜, 镀锡/镀金  
 焊片 (材质): 磷青铜, 镀锡/镀金



印制电路板 (PCB)



适用扁平电缆

孔位	A	B	C	D
4	3.00	5.30	11.10	10.10
5	4.00	6.30	12.10	11.10
6	5.00	7.30	13.10	12.10
7	6.00	8.30	14.10	13.10
8	7.00	9.30	15.10	14.10
9	8.00	10.30	16.10	15.10
10	9.00	11.30	17.10	16.10
11	10.00	12.30	18.10	17.10
12	11.00	13.30	19.10	18.10
13	12.00	14.30	20.10	19.10
14	13.00	15.30	21.10	20.10
15	14.00	16.30	22.10	21.10
16	15.00	17.30	23.10	22.10
17	16.00	18.30	24.10	23.10
18	17.00	19.30	25.10	24.10
19	18.00	20.30	26.10	25.10
20	19.00	21.30	27.10	26.10
21	20.00	22.30	28.10	27.10
22	21.00	23.30	29.10	28.10
23	22.00	24.30	30.10	29.10
24	23.00	25.30	31.10	30.10
25	24.00	26.30	32.10	31.10
26	25.00	27.30	33.10	32.10
27	26.00	28.30	34.10	33.10
28	27.00	29.30	35.10	34.10
29	28.00	30.30	36.10	35.10
30	29.00	31.30	37.10	36.10
31	30.00	32.30	38.10	37.10
32	31.00	33.30	39.10	38.10
33	32.00	34.30	40.10	39.10
34	33.00	35.30	41.10	40.10
35	34.00	36.30	42.10	41.10

深圳亿沃鑫科有限公司  
 TEL: +86135-901-78542  
 FAX: +86-755-32932856  
 www.ewconn.com

X. $\pm 0.3$	X. $^{\circ} \pm 5^{\circ}$	UNITS mm	NAME (INTENDED USE) 1.0mm FPC (E型) 半包下接 (H=2.5)	<b>EWCONNECTOR</b> 深圳亿沃鑫科有限公司
.X $\pm 0.25$	.X $^{\circ} \pm 2^{\circ}$	MAT' L	PART NO. (INTENDED USE) <b>FPC1026-XXP</b>	
.XX $\pm 0.20$	.XX $^{\circ} \pm 1^{\circ}$	FINISH	APPD:	TITLE: 1.0mm FPC (E型)
.XXX $\pm 0.10$	.XXX $^{\circ} \pm 0.5^{\circ}$		Q' TY	CHKD:
			DR: YLZ 2011.09.28	SCALE SHEET REV. 1/1 1/1 A